

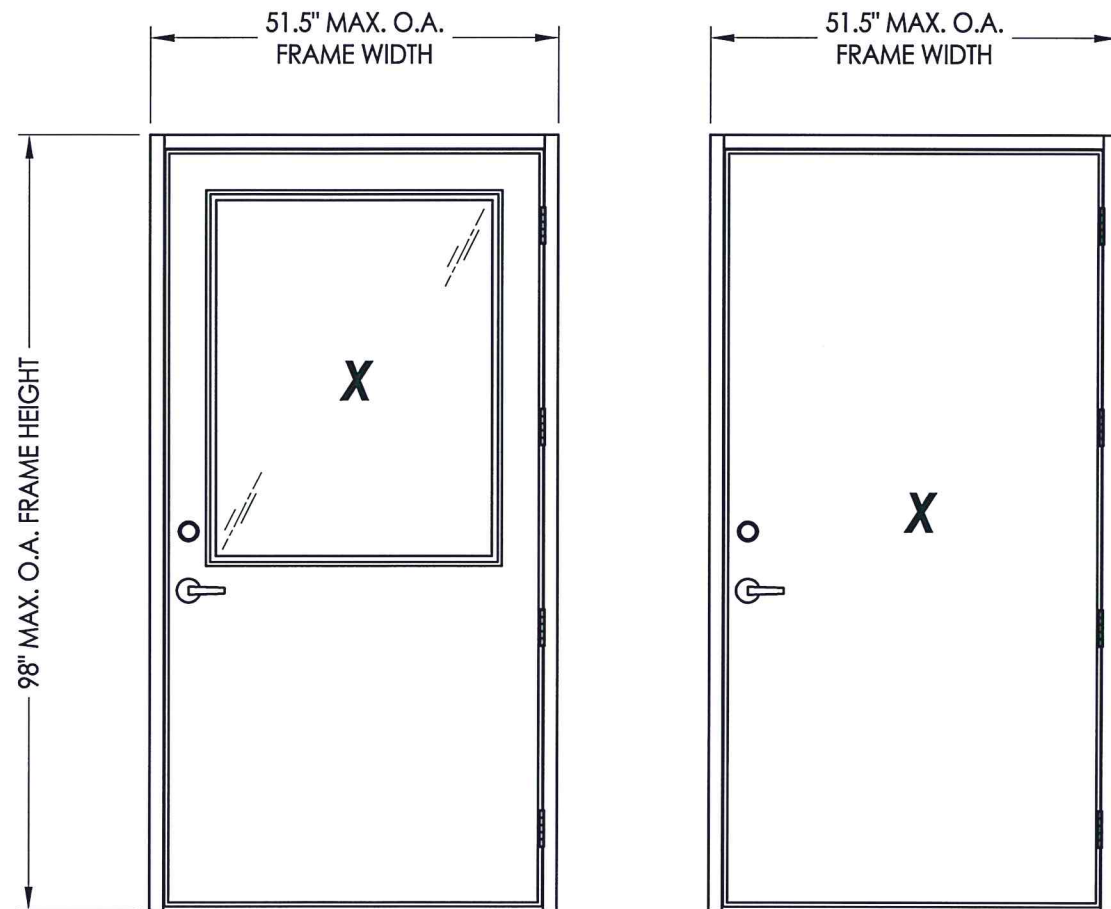


**CLINE ALUMINUM DOORS, INC.**  
 112 32nd AVENUE WEST, BRADENTON, FL 34205-8096  
 Telephone (800) 648-6736

## SERIES 100BE ALUMINUM DOOR OUTSWING "IMPACT"

GENERAL NOTES

1. This product has been evaluated and is in compliance with the 5th Edition (2014) Florida Building Code (FBC) structural requirements including the "High Velocity Hurricane Zone" (HVHZ).
2. Product anchors shall be as listed and spaced as shown on details. Anchor embedment to base material shall be beyond wall dressing or stucco.
3. When used in the "HVHZ" this product complies with Section 1626 of the Florida Building Code and does not require an impact resistant covering.
4. When used in areas outside of the "HVHZ" requiring wind borne debris protection this product complies with Section 1609.1.2 of the FBC and does not require an impact resistant covering. This product meets missile level "D" and includes Wind Zone 4 as defined in ASTM E 1996 and Section 1609.1.2.2 of the FBC.
5. For 2x stud framing construction, anchoring of these units shall be the same as that shown for 2x buck masonry construction.
6. Site conditions that deviate from the details of this drawing require further engineering analysis by a licensed engineer or registered architect.
7. Outswing configurations do not meet the water infiltration requirements for the "HVHZ" and shall be installed only in non-habitable areas or at habitable locations protected by an overhang or canopy such that the angle between the edge of canopy or overhang to sill is less than 45 degrees.
8. Aluminum components, including fasteners, shall meet the requirements of FBC Section 2003.

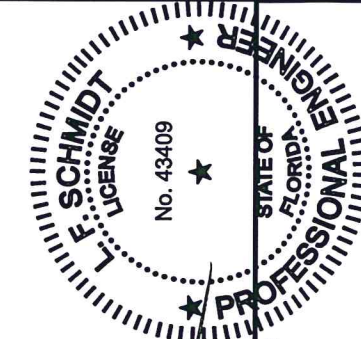


GLAZED DOOR PANEL

OPAQUE DOOR PANEL

TABLE OF CONTENTS	
SHEET#	DESCRIPTION
1	Typical elevations, design pressures & general notes
2	Door panel details and glazing detail
3	Horizontal cross sections
4	Vertical cross sections
5	Buck and frame anchoring (4' X 8')
6	Buck and frame anchoring (3' X 7')
7	Bill of materials and components

LOCK HARDWARE	MAX. FRAME DIMENSION	MAX. DOOR D.L.O. DIMENSION	DESIGN PRESSURE (PSF)	
			POSITIVE	NEGATIVE
LATCH & DEADBOLT	51.5" x 98.0"	34.88" X 44.88"	+55.0	-55.0
	40.0" x 88.0"	22.75" X 32.75"	+90.0	-90.0



*LFS*  
 9-14-15  
 Documents Prepared By:  
 Lyndon F. Schmidt  
 P.E. No. 43409

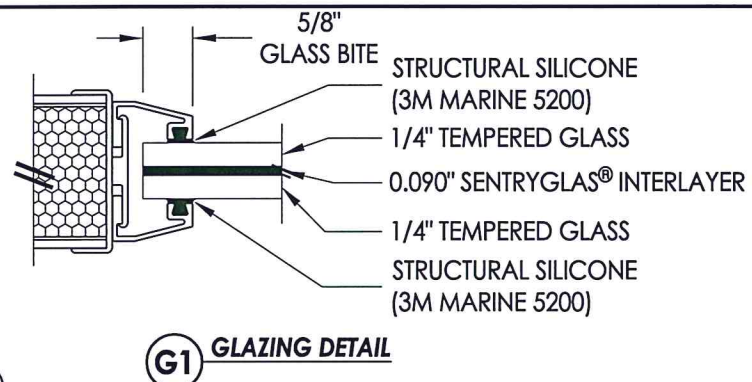
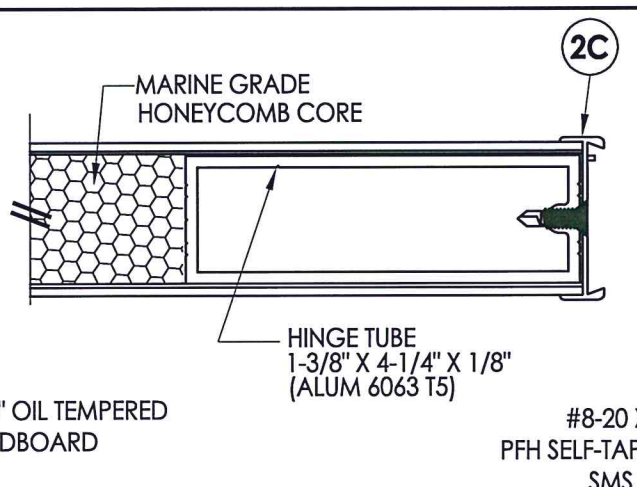
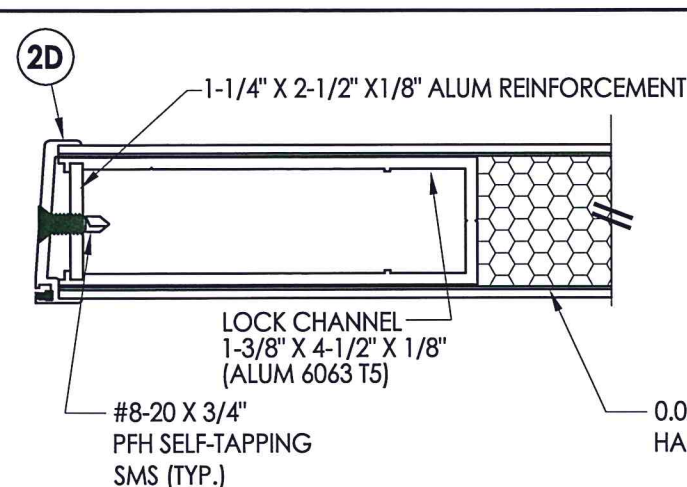
**PROFESSIONAL ENGINEER**  
 STATE OF FLORIDA  
 BUILDING CONSULTANTS, INC.  
 P.O. Box 230, Valrico, FL 33595  
 Phone No.: 813.659.9197  
 FBPE C.A. No. 9813

PRODUCT:	CLINE DOORS
PART OR ASSEMBLY:	TYPICAL ELEVATION, DESIGN PRESSURES & GENERAL NOTES
DATE:	02/02/12
SCALE:	N.T.S.
DWG. BY:	JK
CHK. BY:	LFS
DRAWING NO.:	FL-6336.4
SHEET	1 OF 7

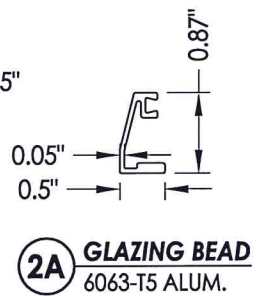
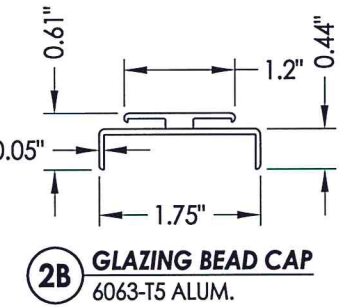
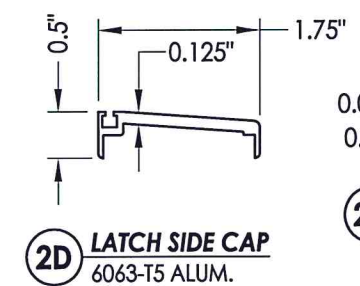
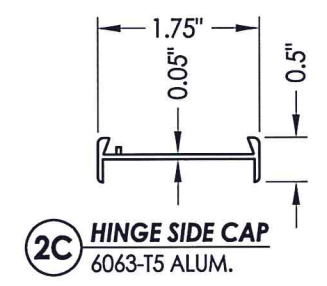
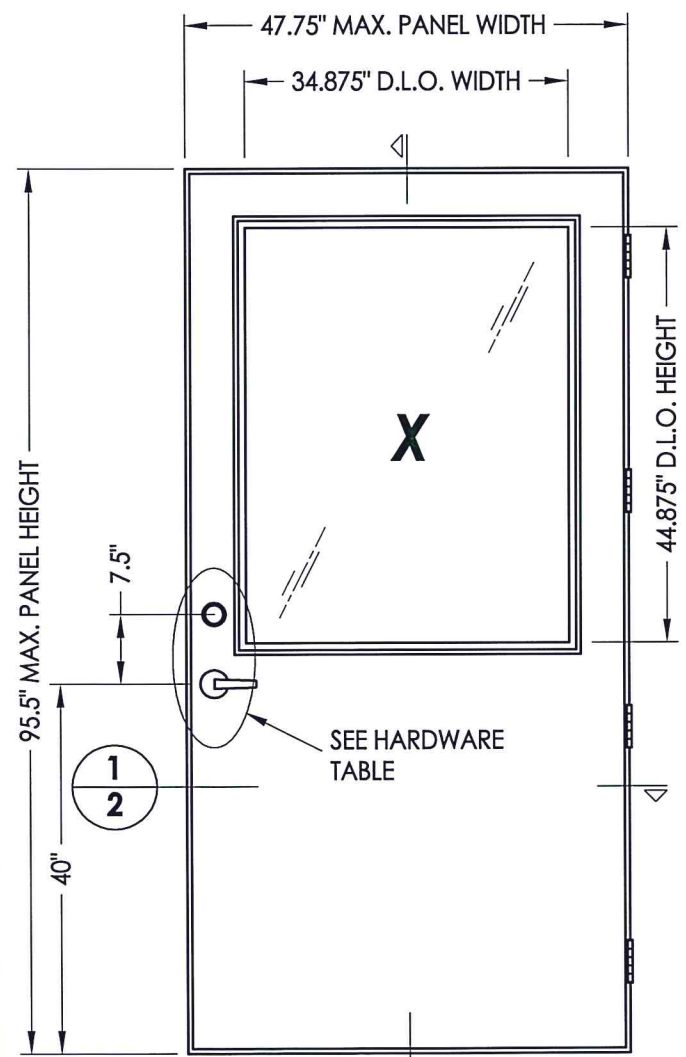
R:\Clients\Cline Aluminum Doors PERMANENTVA - Florida Product Approvals\FL-6336\C - Drawings\Current\FL-6336.1-4.dwg, FL-6336.4



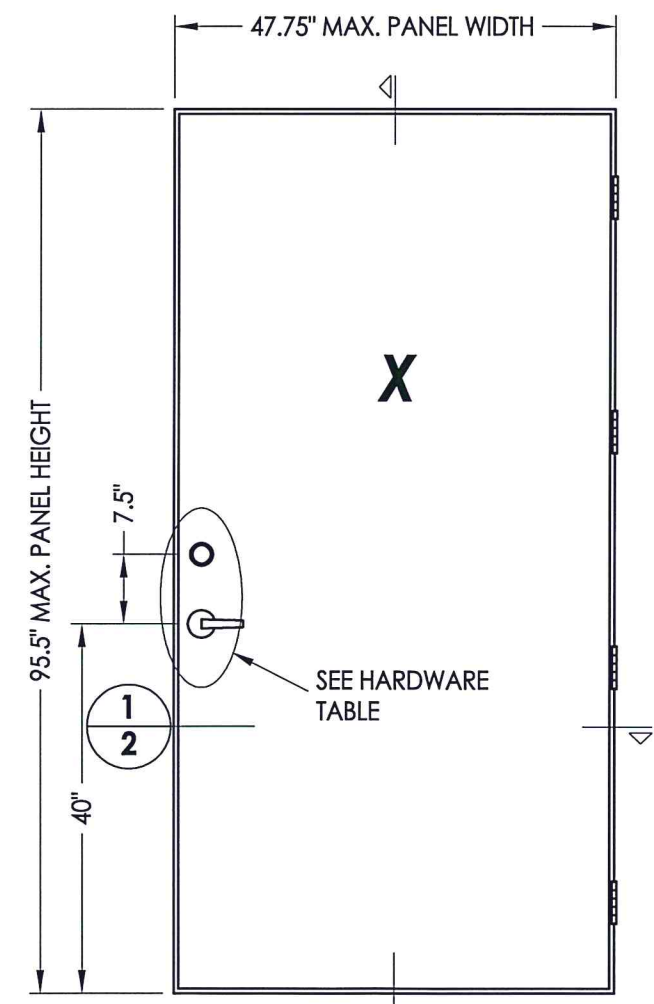
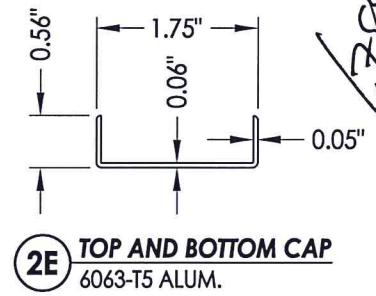
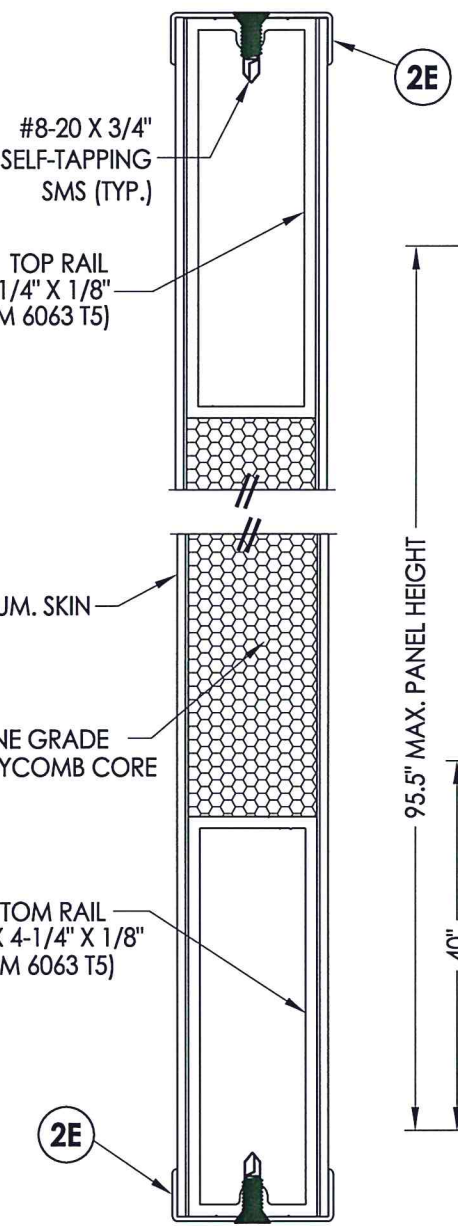
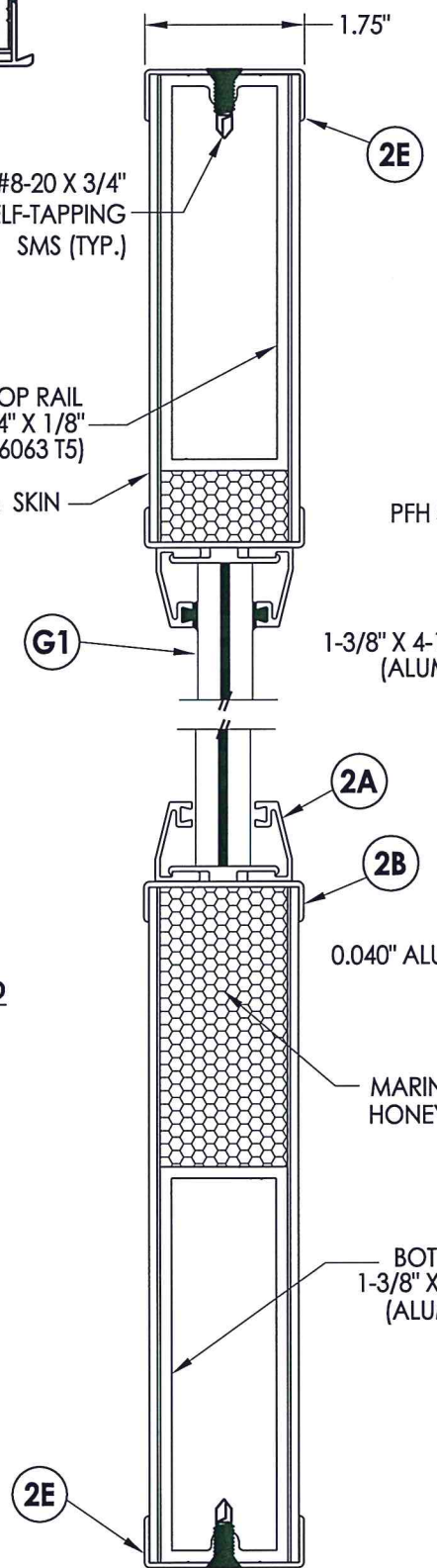
R:\Clients\Cline Aluminum Doors PERMANENTVA - Florida Product Approvals\FL-6336C - Drawings\Current\FL-6336.1-4.dwg, 2.4



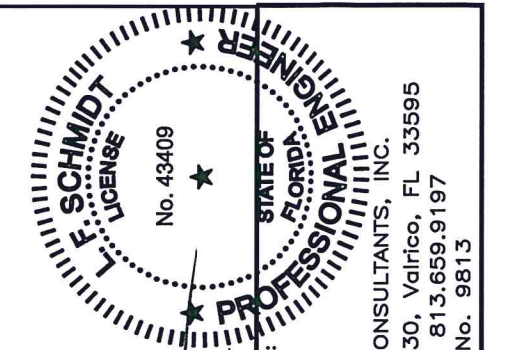
1  
2 **HORIZONTAL CROSS SECTION**



HARDWARE TABLE		
MANUFACTURER	MODEL	
CORBIN	LEVER:	SERIES CL3500
RUSSWIN	DEADBOLT:	SERIES DL3000



3  
2 **OPAQUE DOOR PANEL**



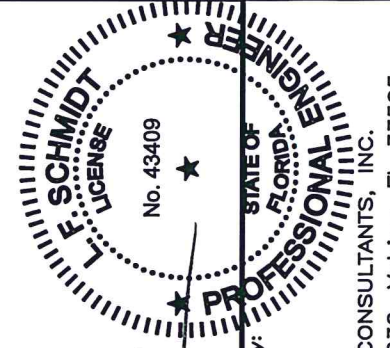
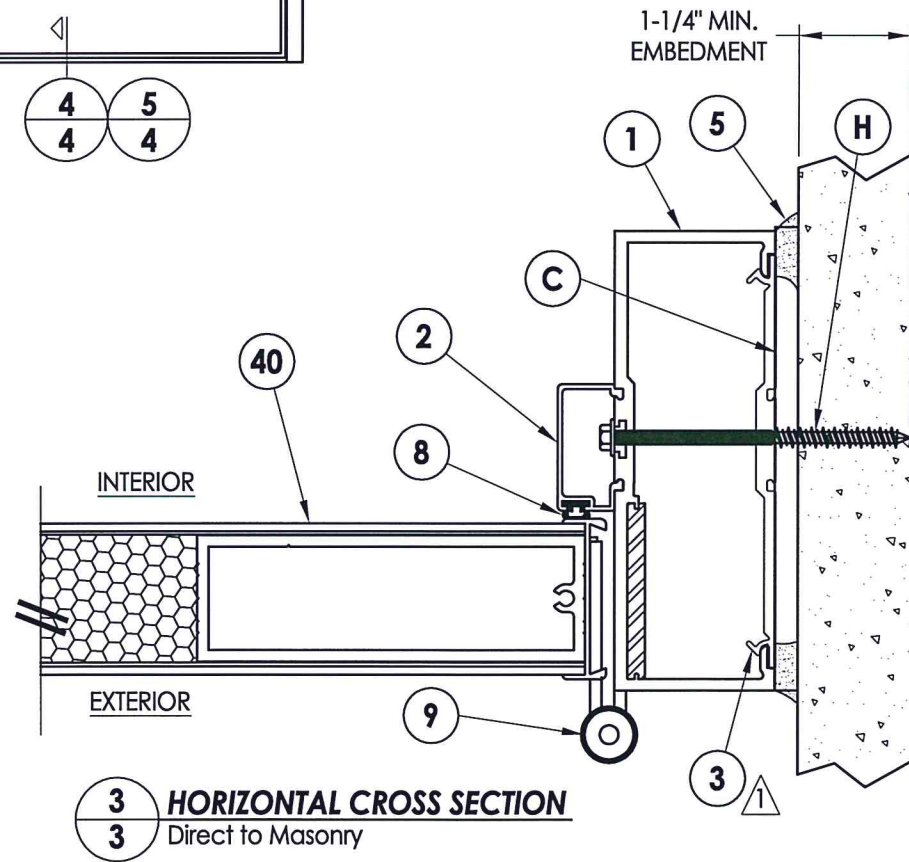
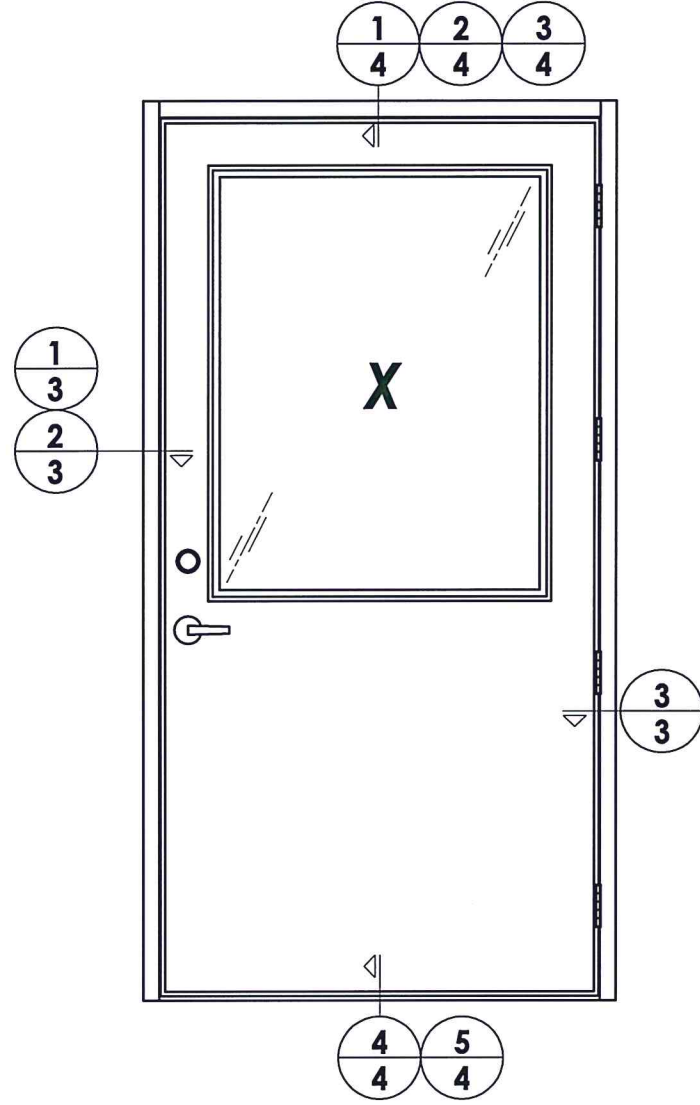
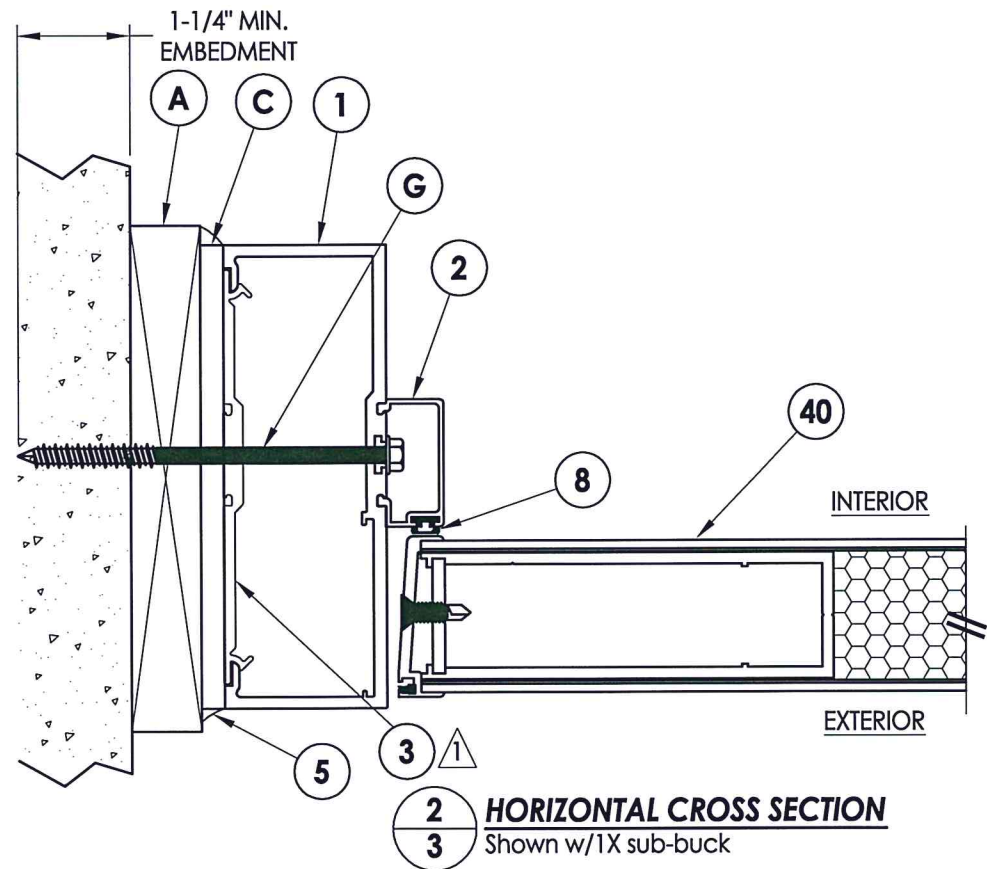
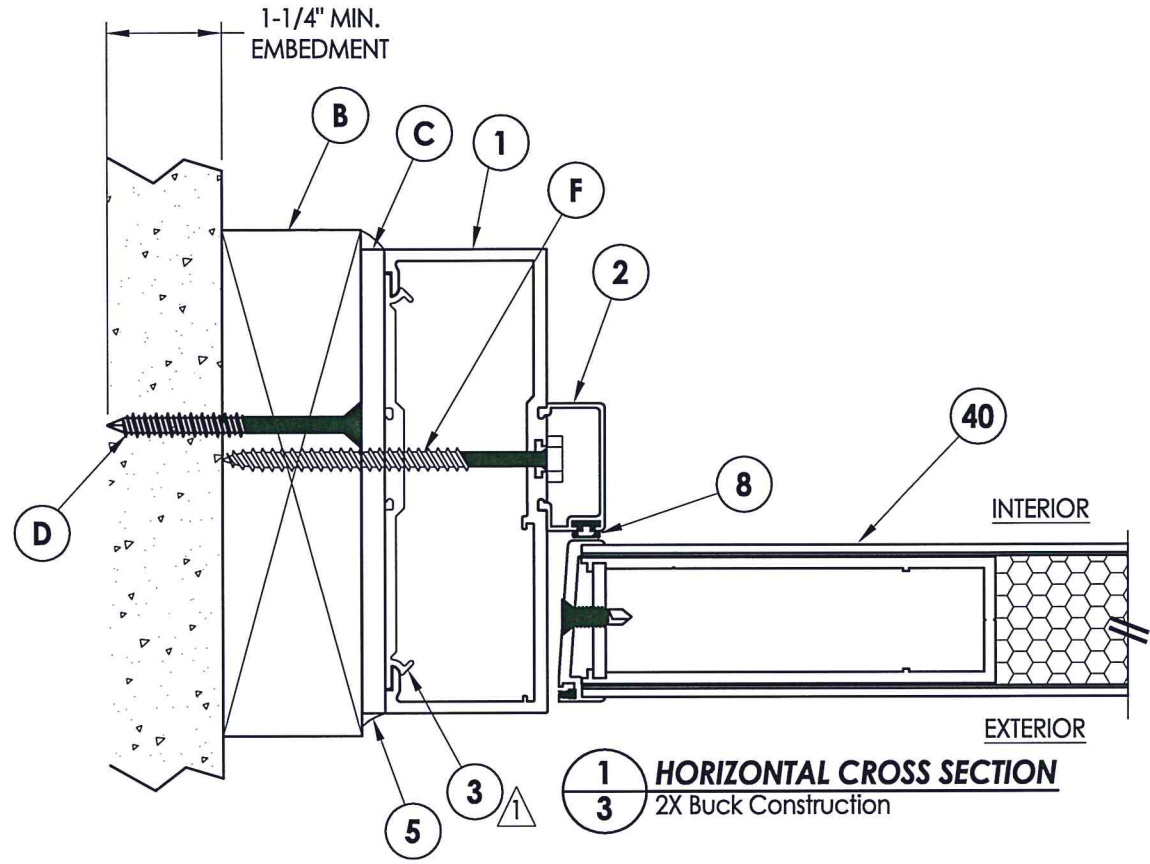
Documents Prepared By:  
Lyndon F. Schmidt  
P.E. No. 43409  
R.W. BUILDING CONSULTANTS, INC.  
P.O. Box 230, Vairico, FL 33595  
Phone No.: 813.659.9197  
FBPE C.A. No. 9813

PRODUCT: CLINE DOORS  
PART OR ASSEMBLY: DOOR PANEL DETAILS AND GLAZING DETAIL

NO.	DATE	REVISIONS
3	9/9/15	ADD OPAQUE DOOR
2	1/27/15	UPDATE TO 5TH ED. (2014) FBC
1	4/10/12	ADD ITEM #3

DATE: 6/8/11  
SCALE: N.T.S.  
DWG. BY: JK  
CHK. BY: LFS  
DRAWING NO.: FL-6336.4  
SHEET 2 OF 7





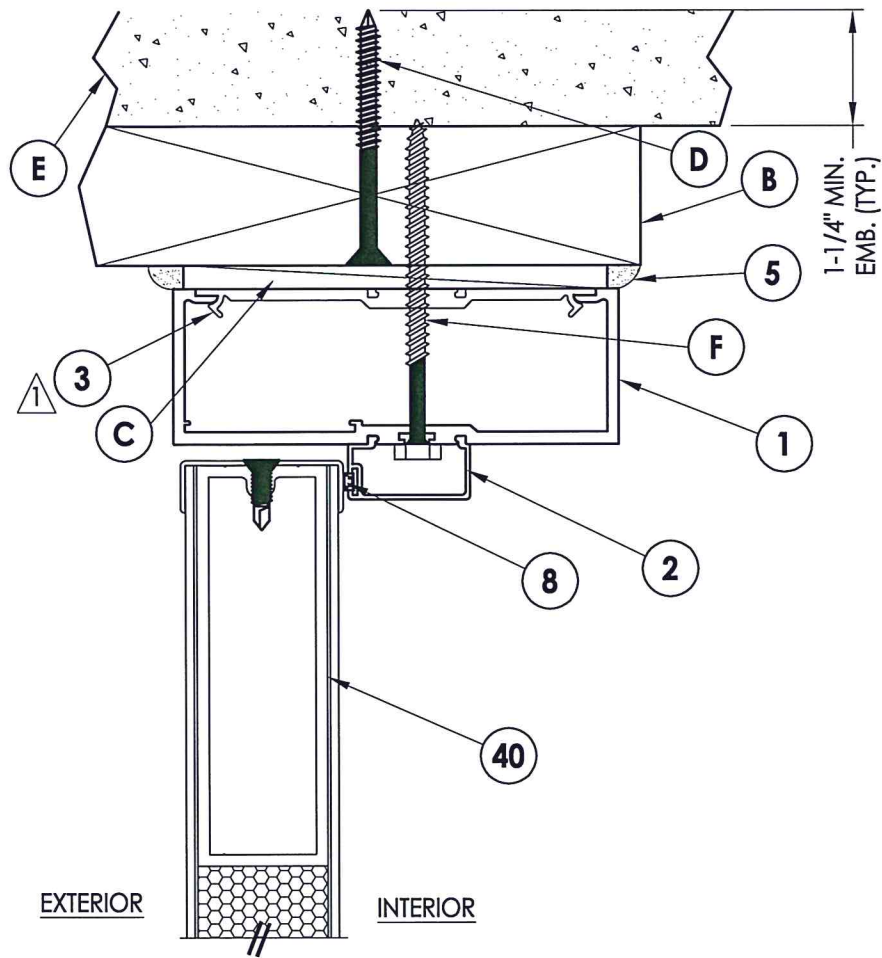
Documents Prepared By:  
Lyndon F. Schmidt  
P.E. No. 43409  
9.14.15

R.W. BUILDING CONSULTANTS, INC.  
P.O. Box 230, Valrico, FL 33595  
Phone No.: 813.659.9197  
FBPE C.A. No. 9813

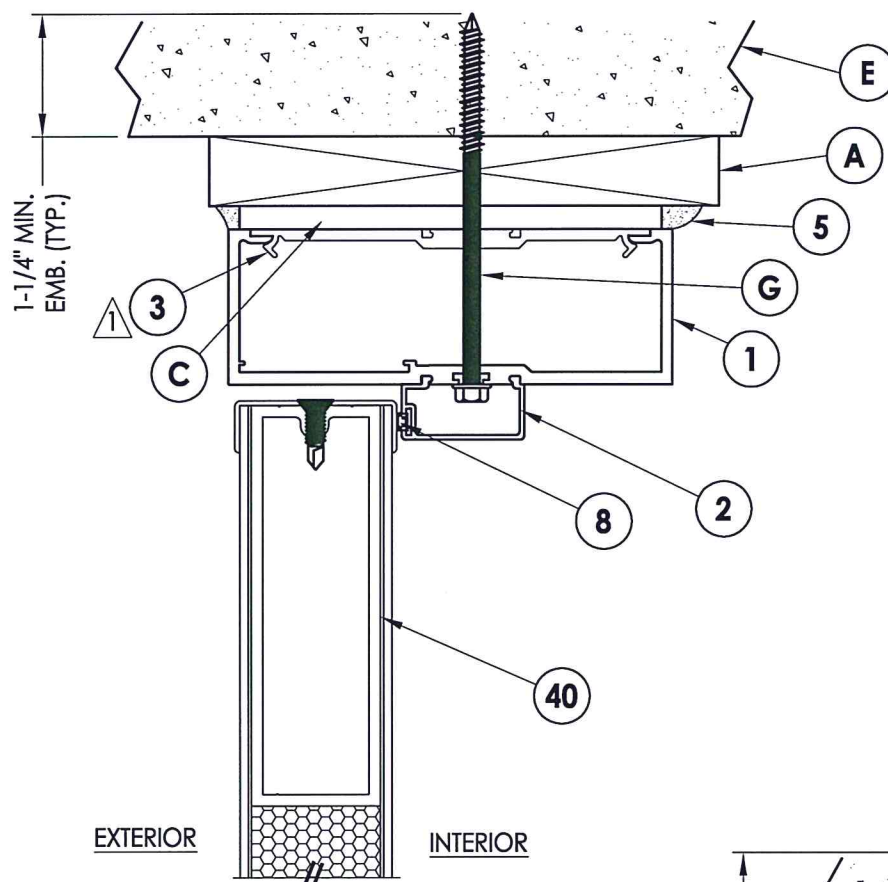
PRODUCT: CLINE DOORS  
PART OR ASSEMBLY: HORIZONTAL CROSS SECTIONS

NO.	DATE	REVISIONS
3	9/9/15	ADD OPAQUE DOOR JK
2	1/27/15	UPDATE TO 5TH ED. (2014) FBC JK
1	4/10/12	ADD ITEM #3 JK
		BY

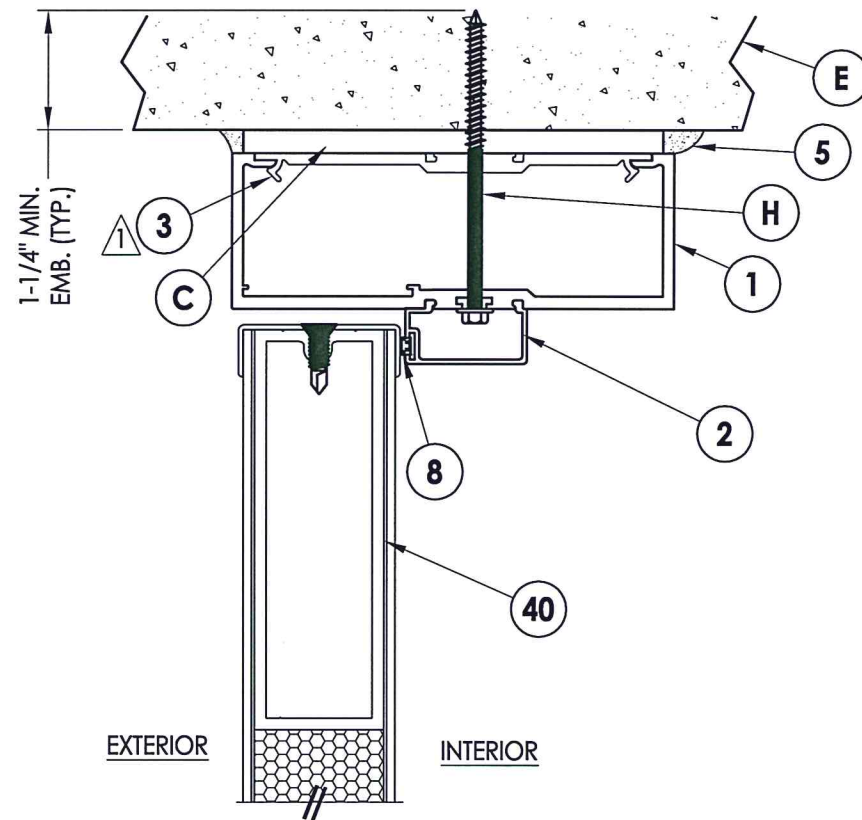
DATE: 02/02/12  
SCALE: N.T.S.  
DWG. BY: JK  
CHK. BY: LFS  
DRAWING NO.: FL-6336.4  
SHEET 3 OF 7



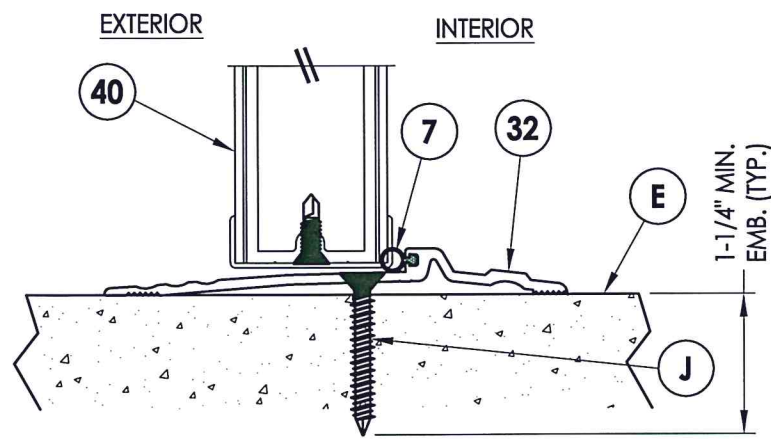
**1** VERTICAL CROSS SECTION  
**4** 2X Buck Construction



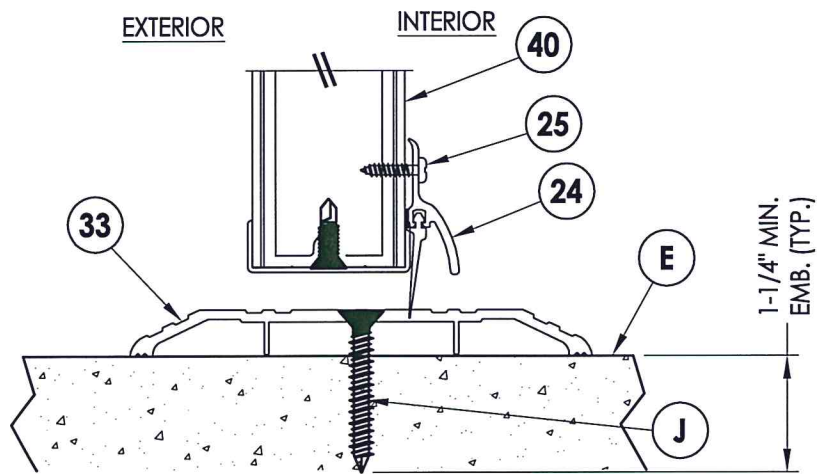
**2** VERTICAL CROSS SECTION  
**4** Shown w/1X sub-buck



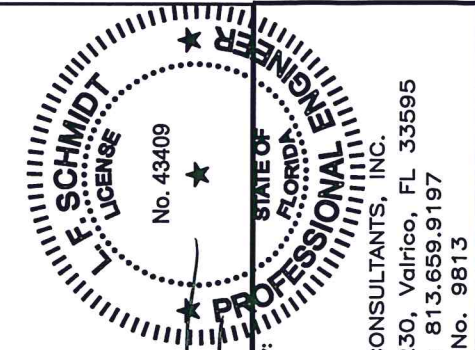
**3** VERTICAL CROSS SECTION  
**4** Direct to Masonry



**4** VERTICAL CROSS SECTION  
**4**



**5** VERTICAL CROSS SECTION  
**4**



*EFS*  
 7.14.15

Documents Prepared By:  
 Lyndon F. Schmidt  
 P.E. No. 43409

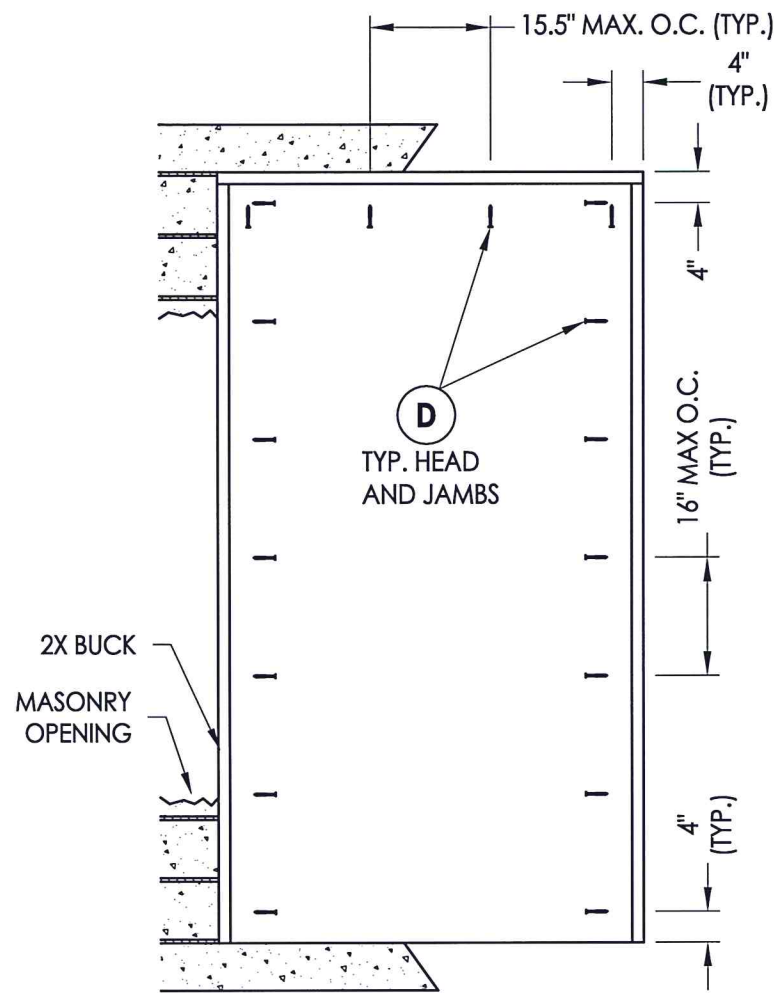
*RW*  
 BUILDING CONSULTANTS, INC.  
 P.O. Box 230, Vairico, FL 33595  
 Phone No.: 813.659.9197  
 FBPE C.A. No. 9813

PRODUCT: CLINE DOORS  
 PART OR ASSEMBLY: VERTICAL CROSS SECTIONS

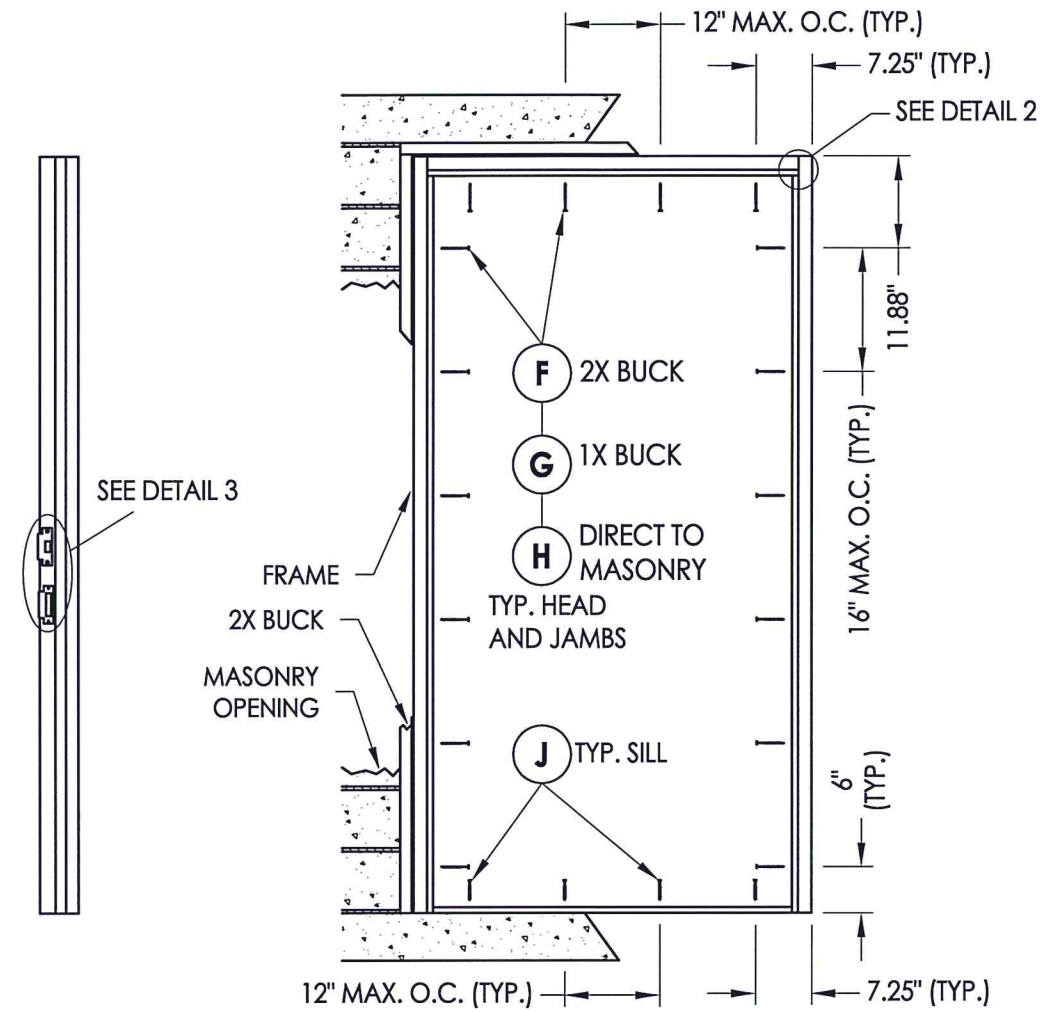
NO.	DATE	BY	REVISIONS
3	9/9/15	JK	ADD OPAQUE DOOR
2	1/27/15	JK	UPDATE TO 5TH ED. (2014) FBC
1	4/10/12	JK	ADD ITEM #3

DATE: 02/02/12  
 SCALE: N.T.S.  
 DWG. BY: JK  
 CHK. BY: LFS  
 DRAWING NO.: FL-6336.4  
 SHEET 4 OF 7



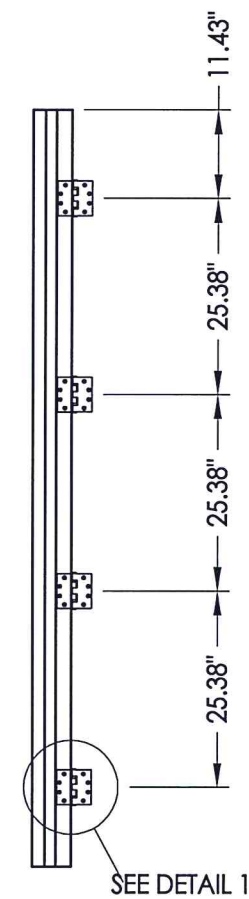


**BUCK ANCHORING**



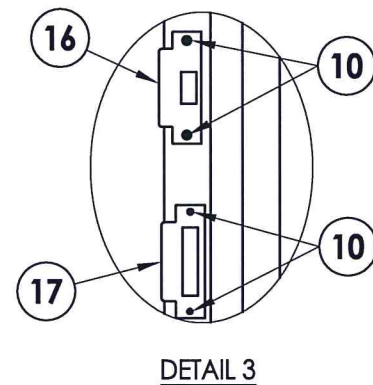
**STRIKE JAMB**

**FRAME ANCHORING**

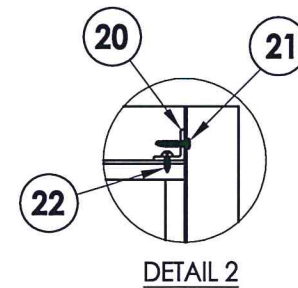


**HINGE JAMB**

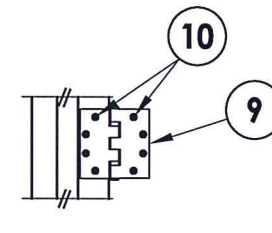
**MAX. FRAME DIMENSION 51.5" X 98.0"**



**DETAIL 3**



**DETAIL 2**



**DETAIL 1**

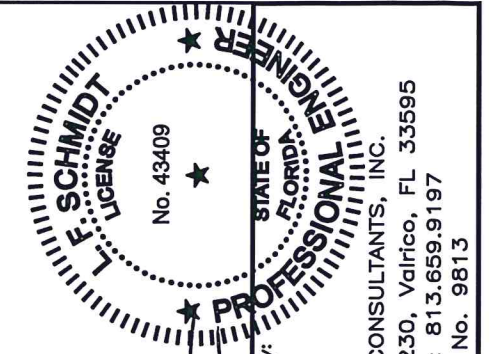
**CONCRETE ANCHOR NOTES:**

1. Concrete anchor locations at the corners may be adjusted to maintain the min. edge distance to mortar joints.
2. Concrete anchor locations noted as "MAX. ON CENTER" must be adjusted to maintain the min. edge distance to mortar joints, additional concrete anchors may be required to ensure the "MAX. ON CENTER" dimension are not exceeded.
3. Concrete anchor table:

ANCHOR TYPE	ANCHOR SIZE	MIN. EMBEDMENT	MIN. CLEARANCE TO MASONRY EDGE	MIN. CLEARANCE TO ADJACENT ANCHOR
ITW BUILDEX TAPCON®	1/4"	1-1/4"	2"	4"
ELCO ULTRACON®	1/4"	1-1/4"	1"	4"

**WOOD SCREW INSTALLATION NOTES:**

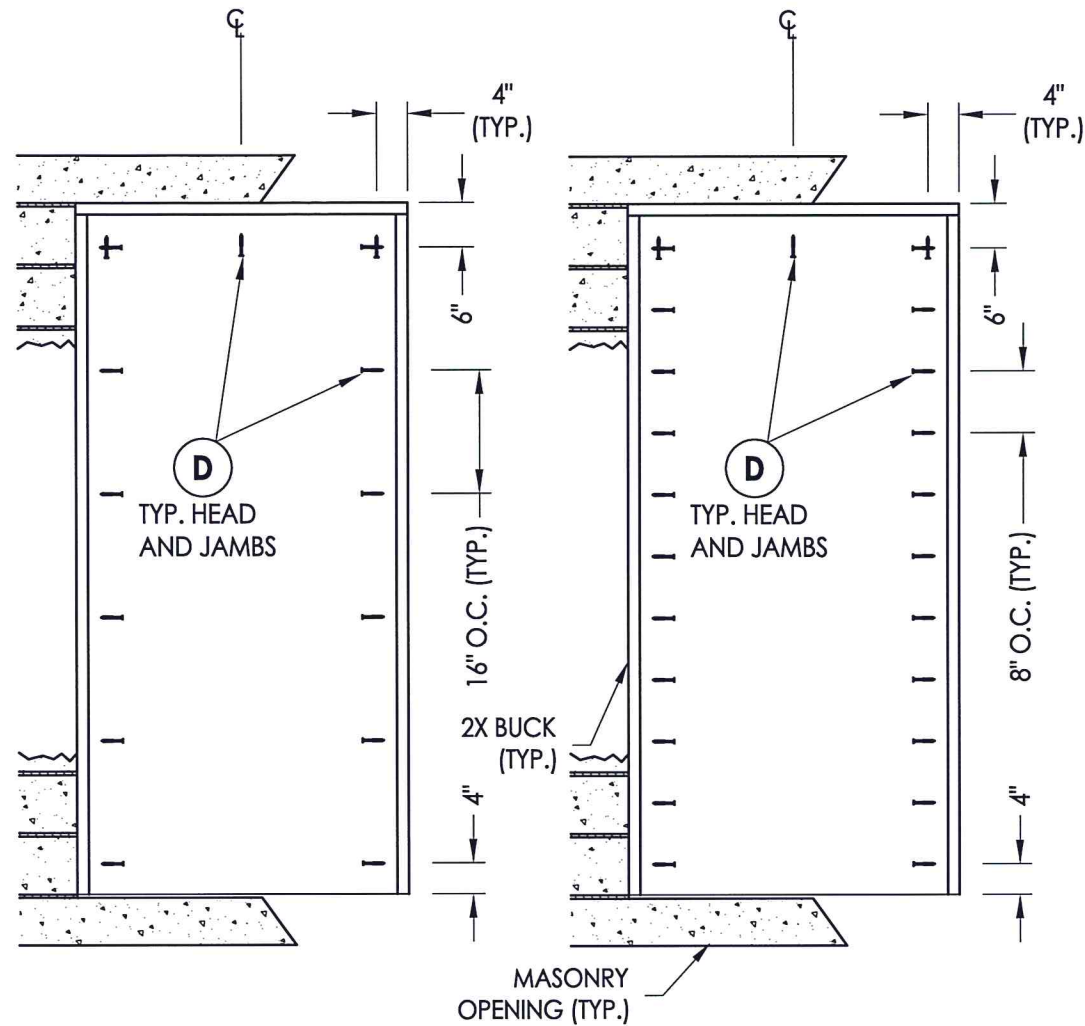
1. Maintain a minimum 5/8" edge distance, 1" end distance, & 1" o.c. spacing of wood screws to prevent the splitting of wood.



Documents Prepared By:  
Lyndon F. Schmidt  
P.E. No. 43409  
R.W. BUILDING CONSULTANTS, INC.  
P.O. Box 230, Valrico, FL 33595  
Phone No.: 813.659.9197  
FBPE C.A. No. 9813

PRODUCT:	CLINE DOORS	
PART OR ASSEMBLY:	BUCK AND FRAME ANCHORING (4" X 8")	
NO.	DATE	BY
3	9/9/15	JK
2	1/27/15	JK
1	4/10/12	JK
		BY
		REVISIONS
DATE: 02/02/12		
SCALE: N.T.S.		
DWG. BY: JK		
CHK. BY: LFS		
DRAWING NO.: FL-6336.4		
SHEET 5 OF 7		

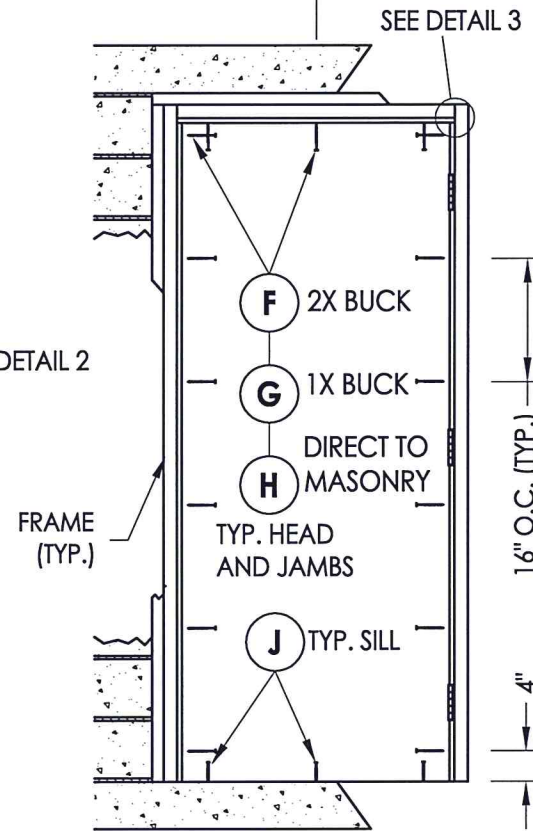




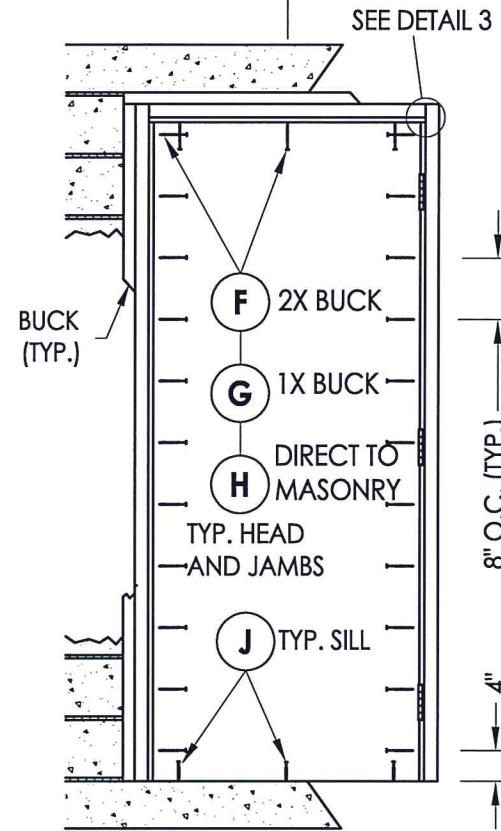
**BUCK ANCHORING**  
Max. D.P. <= 70 PSF

**BUCK ANCHORING**  
Max. D.P. <= 90 PSF

**STRIKE JAMB**

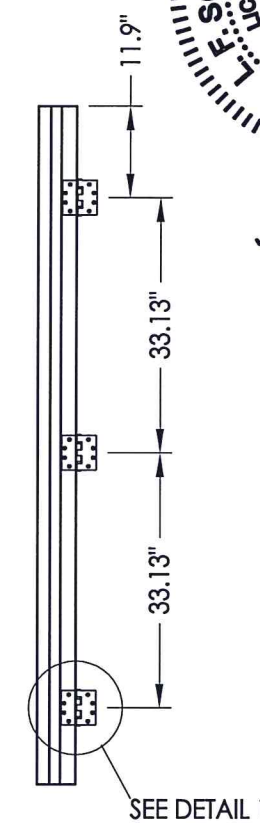


**FRAME ANCHORING**  
Max. D.P. <= 70 PSF



**FRAME ANCHORING**  
Max. D.P. <= 90 PSF

**HINGE JAMB**



MAX. FRAME DIMENSION 40" X 88"

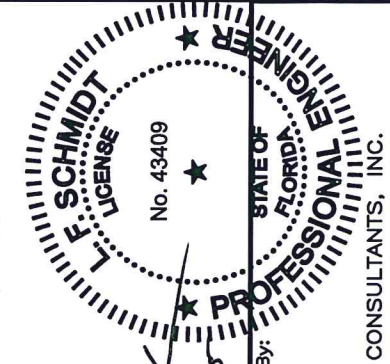
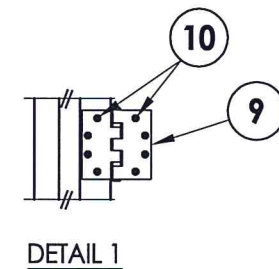
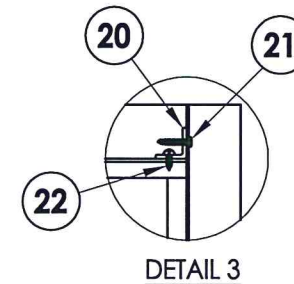
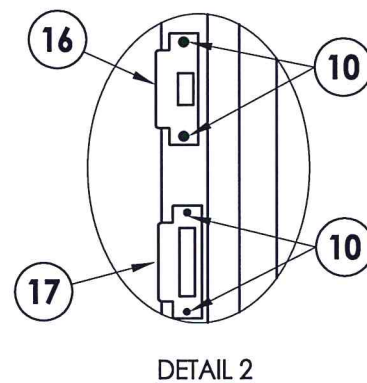
**CONCRETE ANCHOR NOTES:**

1. Concrete anchor locations at the corners may be adjusted to maintain the min. edge distance to mortar joints.
2. Concrete anchor locations noted as "MAX. ON CENTER" must be adjusted to maintain the min. edge distance to mortar joints, additional concrete anchors may be required to ensure the "MAX. ON CENTER" dimension are not exceeded.
3. Concrete anchor table:

ANCHOR TYPE	ANCHOR SIZE	MIN. EMBEDMENT	MIN. CLEARANCE TO MASONRY EDGE	MIN. CLEARANCE TO ADJACENT ANCHOR
ITW BUILDEX TAPCON®	1/4"	1-1/4"	2"	4"
ELCO ULTRACON®	1/4"	1-1/4"	1"	4"

**WOOD SCREW INSTALLATION NOTES:**

1. Maintain a minimum 5/8" edge distance, 1" end distance, & 1" o.c. spacing of wood screws to prevent the splitting of wood.



Documents Prepared By:  
Lyndon F. Schmidt  
P.E. No. 43409

R.W. BUILDING CONSULTANTS, INC.  
P.O. Box 230, Valrico, FL 33595  
Phone No.: 813.659.9197  
FBPE C.A. No. 9813

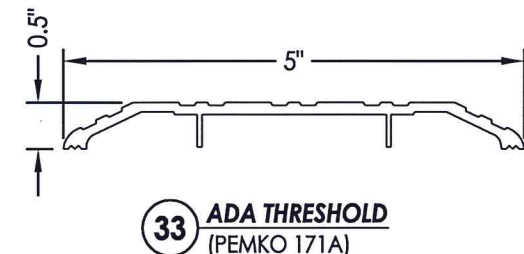
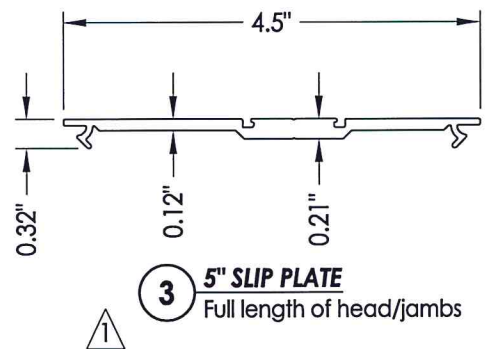
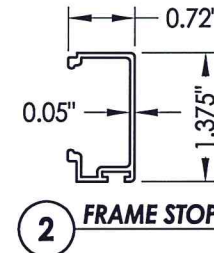
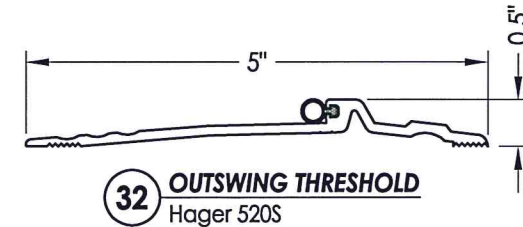
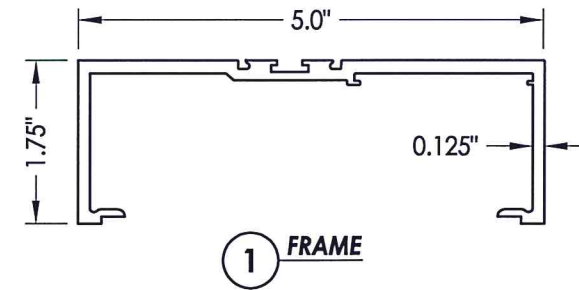
PRODUCT: CLINE DOORS  
PART OR ASSEMBLY: BUCK AND FRAME ANCHORING (3' X 7')

NO.	DATE	REVISIONS
3	9/9/15	ADD OPAQUE DOOR JK
2	1/27/15	UPDATE TO 5TH ED. (2014) FBC JK
1	4/10/12	ADD ITEM #3 JK
		BY

DATE: 02/02/12  
SCALE: N.T.S.  
DWG. BY: JK  
CHK. BY: LFS  
DRAWING NO.: FL-6336.4  
SHEET 6 OF 7



BILL OF MATERIALS		
ITEM #	DESCRIPTION	MATERIAL
A	1X BUCK SG >= 0.55	WOOD
B	2X BUCK SG >= 0.55	WOOD
C	1/4" MAX. SHIM SPACE	-
D	1/4" X 2-3/4" ELCO OR ITW CONCRETE SCREW	STEEL
E	MASONRY - 3,000 PSI MIN. CONCRETE CONFORMING TO ACI 301 OR HOLLOW BLOCK CONFORMING TO ASTM C90	CONCRETE
F	1/4" X 3-1/2" HEX LAG SCREW	STEEL
G	1/4" X 4" HH ELCO OR ITW CONCRETE SCREW	STEEL
H	1/4" x 3-1/4" HH ELCO OR ITW CONCRETE SCREW	STEEL
J	1/4" x 1-3/4" HH ELCO OR ITW CONCRETE SCREW	STEEL
1	FRAME	ALUM 6063 T5
2	FRAME STOP	ALUM 6063 T5
3	5" SLIP PLATE	ALUM 6063 T5
5	SILICONE SEALANT	SILICONE
7	WEATHERSTRIP	PVC
8	WOOL PILE WEATHERSTRIP	-
9	4-1/2" X 4-1/2" HINGE	STEEL
10	#12 X 11/16" PPH SELF-DRILLING SMS	STEEL
16	ANSI DEADBOLT STRIKE PLATE	STEEL
17	ANSI LATCH STRIKE PLATE	STEEL
20	CORNER REINFORCEMENT	STEEL
21	#10 X 1" PPH SMS	STEEL
22	#10 X 1/2" PPH SMS	STEEL
23	EXIT DEVICE STRIKE PLATE	STEEL
24	DOOR SWEEP (PEMKO 345AV)	-
25	#6 X 5/8" PPH SMS	STEEL
32	OUTSWING THRESHOLD	ALUM
33	ADA THRESHOLD (PEMKO 171A)	ALUM
40	DOOR PANEL (SEE DOOR PANEL DETAILS)	-



Documents Prepared By: *LFS*  
 Lyndon F. Schmidt  
 P.E. No. 43409

*R.W.*  
 BUILDING CONSULTANTS, INC.  
 P.O. Box 230, Valrico, FL 33595  
 Phone No.: 813.659.9197  
 FBPE C.A. No. 9813

PRODUCT:		CLINE DOORS	
PART OR ASSEMBLY:		BILL OF MATERIALS & COMPONENTS	
NO.	DATE	BY	REVISIONS
3	9/9/15	JK	ADD OPAQUE DOOR
2	1/27/15	JK	UPDATE TO 5TH ED. (2014) FBC
1	4/10/12	JK	ADD ITEM #3

DATE: 02/02/12  
 SCALE: N.T.S.  
 DWG. BY: JK  
 CHK. BY: LFS  
 DRAWING NO.: FL-6336.4  
 SHEET 7 OF 7